



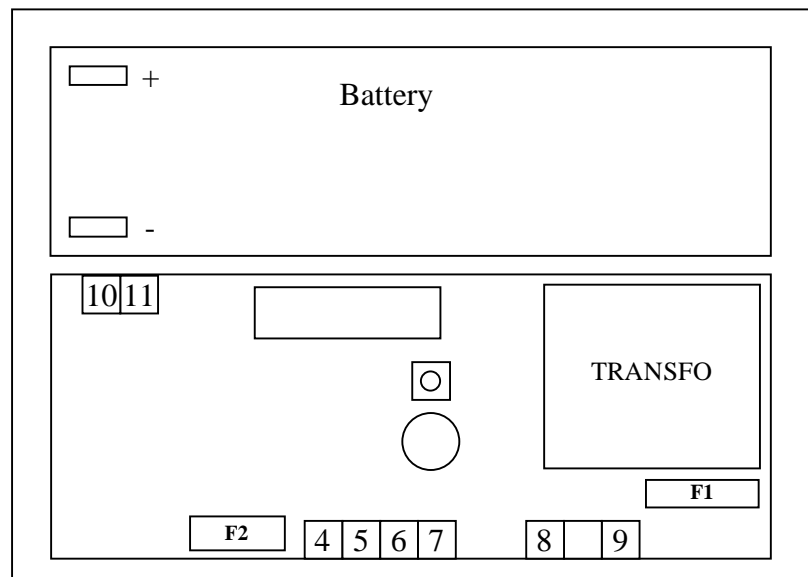
# BS60

## 12VOLTS POWER SUPPLY WITH BATTERY BACK-UP

### INSTALLATION AND WIRING

Remove the screws from the sides and use the wiring access hole for the wires.

Use the holes at the bottom of the casing for mounting the power supply on the wall.



#### FUSIBLES

F1	Primary fuse 0.315 Amp
F2	Secondary fuse 2 Amp

Ouput	Voltage
4	+ 12 V =
5	0 V
6	12 V ~
7	12 V ~
8	230 V~
9	230 V~
10	- Battery
11	+ Battery

Do not forget to connect the wires to the battery !