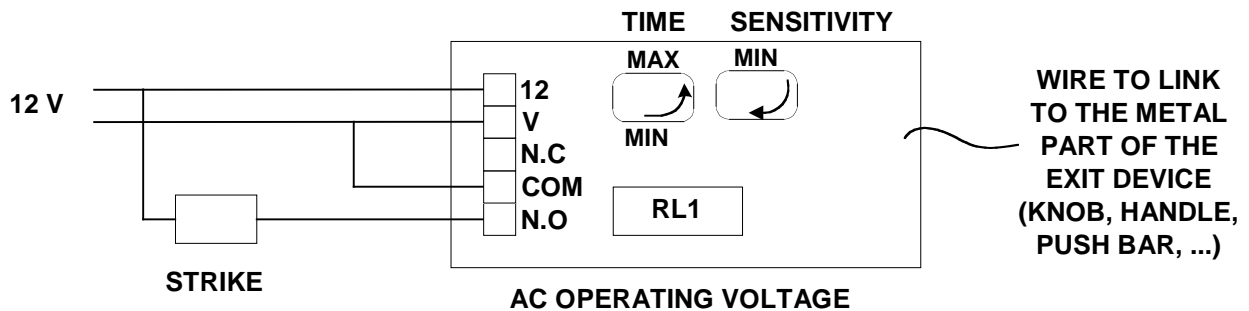
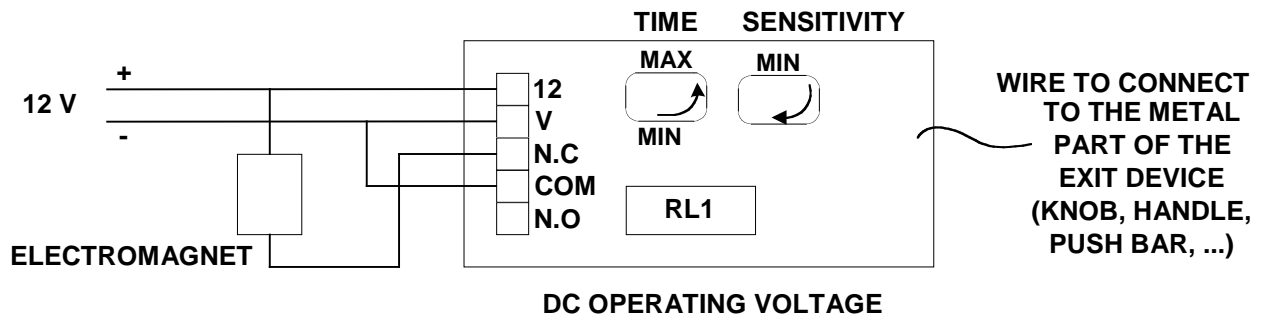




E.S.T

SENSITIVE CONTROL



- **THE TIME SWITCH IS SET AT THE MINIMUM LEVEL, ADJUST THE TRIGGERING SENSIBILITY, THEN ADJUST THE DOOR RELEASE TIME .**
- **THE DOOR RELEASE TIME IS ADJUSTABLE FROM ABOUT 2 TO 20 SECONDS.**
- **INPUT VOLTAGE 12 V DC/AC FROM MAINS 230 V.**
- **NOTE : METAL DOOR'S STRUCTURES HAVE TO BE CONNECTED TO HEARTH.**