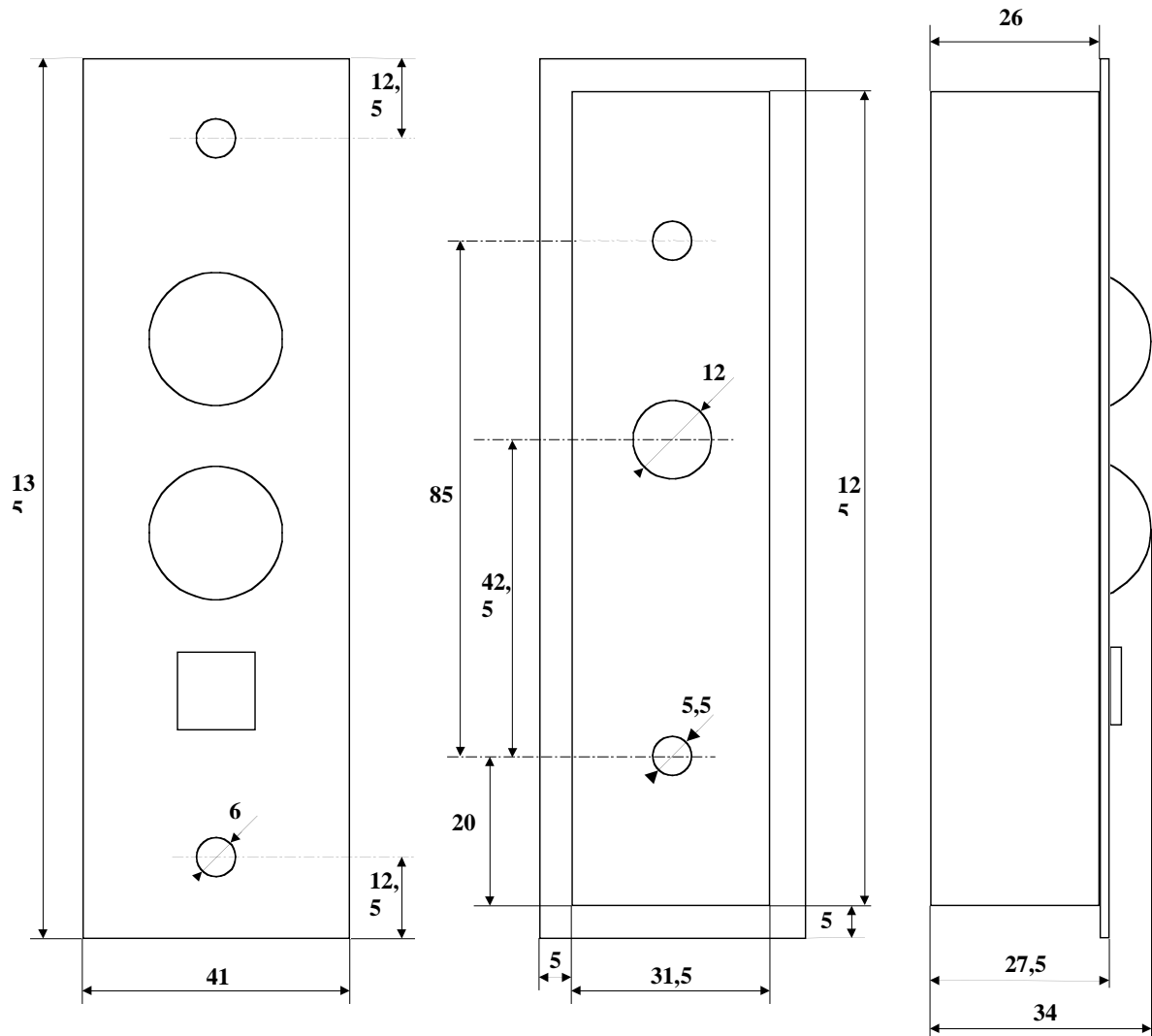
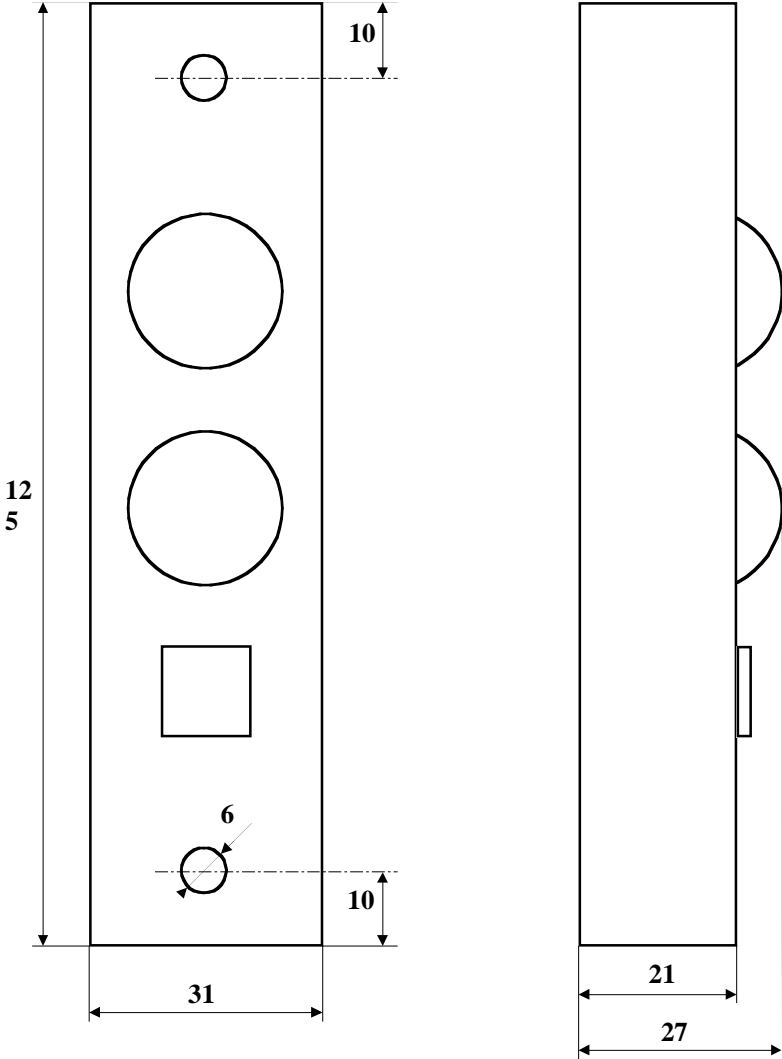




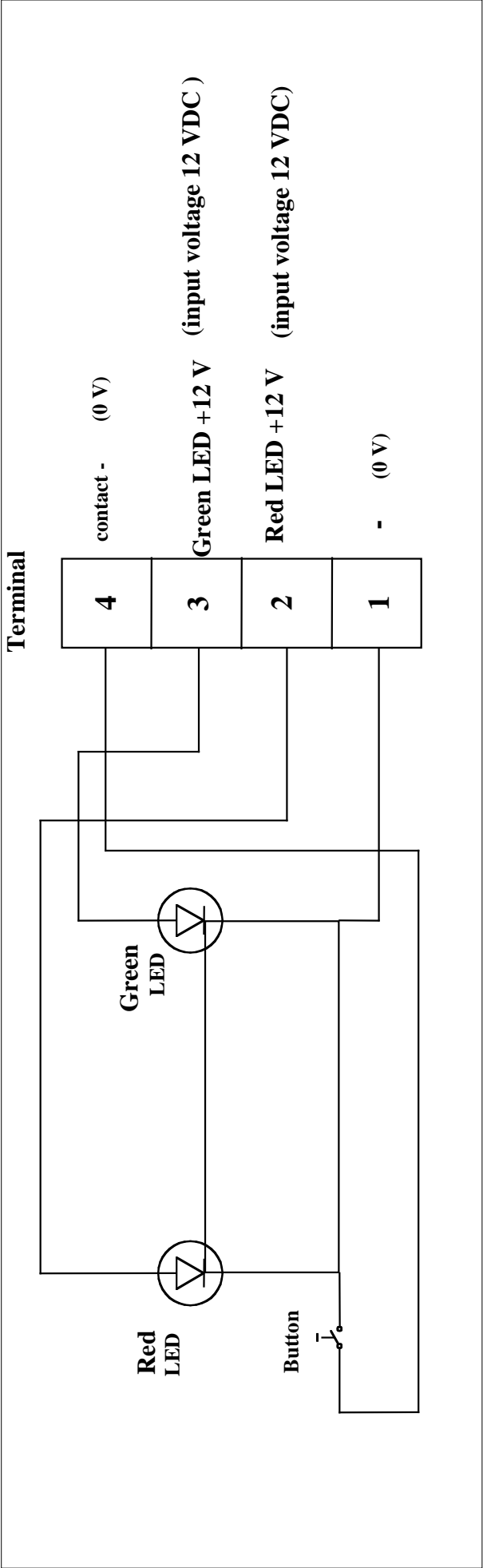
FLUSH MOUNTING



SURFACE MOUNTING



Wiring Diagram
raccordement



SIE
SIS

When the output voltage is higher than 13.5 volt:

- 1) Add a resistor in serial to each LED
- 2) Refer to the board below to find the resistor value to use

Note: (Use the resistor value close the following standard values
47 Ω , 100 Ω , 120 Ω , 150 Ω , 220 Ω , 270 Ω , 330 Ω , 360 Ω , 470 Ω)

