

Access Control

C14A/S - Relay output board

Warning: Do not use any switching power supply because of the interference that could disturb the relay boards.

C14A/S:

important:

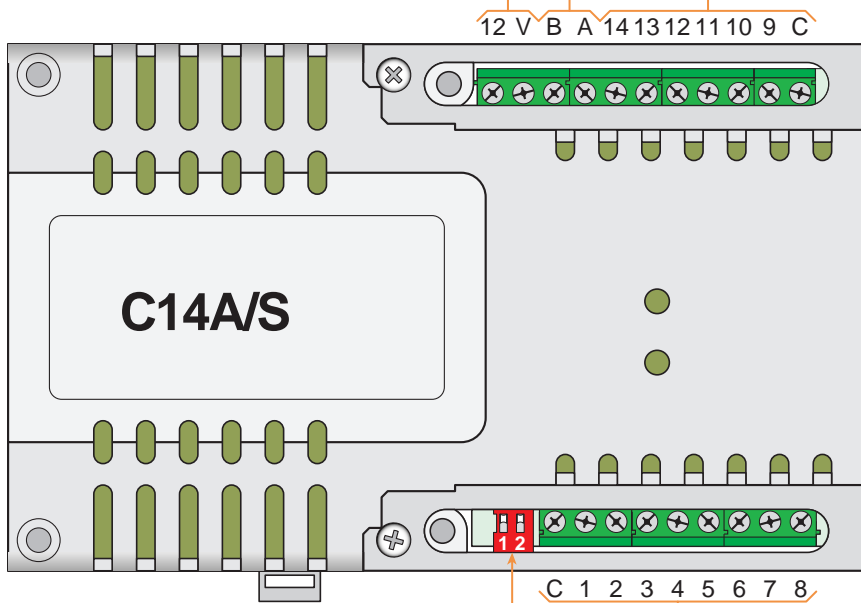
To activate the relay board go to control unit configuration in the LOG/MTK software

"A & B" bus RS485 must not exceed 1000 meters. Use 1 twisted pair shielded AWG 22, 9/10ème MM (SYT1).

A different cable should be used for the power.

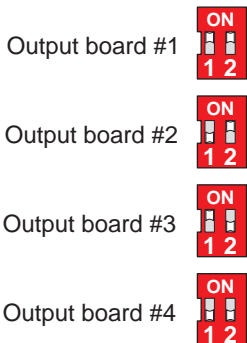
Terminal block

12	12 V input voltage
V	12 V input voltage
A	RS 485 bus
B	RS 485 bus
C	Common
9	Relay output #9 N/O contact
10	Relay output #10 N/O contact
11	Relay output #11 N/O contact
12	Relay output #12 N/O contact
13	Relay output #13 N/O contact
14	Relay output #14 N/O contact



Din rail module mounting
LED lit during an alarm

Relay output board address setup



Terminal block

C	Common
1	Relay output #1 N/O contact
2	Relay output #2 N/O contact
3	Relay output #3 N/O contact
4	Relay output #4 N/O contact
5	Relay output #5 N/O contact
6	Relay output #6 N/O contact
7	Relay output #7 N/O contact
8	Relay output #8 N/O contact